

Dual Inverter Buffer and Driver With Open-Drain Output

Description

This dual inverter buffer and driver is designed for 1.65-V to 5.5-V VCC operation.

The output of the FLG74LVC2G06 device is an open-drain and can be connected to other open-drain outputs to implement active-low wired-OR or active-high wired-AND functions.

The maximum sink current is 32mA

This device is fully specified for partial-power-down applications using I_{OFF}. The I_{OFF} circuitry disables the outputs, preventing damaging current backflow through the device when it is powered down.

Features

- Supports 5-V V_{CC} Operation
- Max T_{pd} of 3.4 ns at 3.3 V
- Low Power Consumption, 10- μ A Max I_{CC}
- ±24-mA Output Drive at 3.3 V for open-drain devices
- Typical V_{OLP} (Output Ground Bounce) <0.8V at V_{CC} = 3.3V, TA = 25°C
- Typical V_{OHV} (Output VOH Undershoot) > 2V at V_{CC} = 3.3V, TA = 25°C
- Inputs and Open-Drain Outputs Accept Voltages up to 5.5V

- I_{OFF} Supports Live Insertion, Partial-PowerDown Mode and Back-Drive Protection
- Latch-Up Performance Exceeds 100 mA Per JESD 78, Class II
- Supports Down-Translation(5V to 3.3V and 3.3V to 1.8V)
- ESD Protection Exceeds JESD 22
 - 2000-V Human-Body Model (A114-A)
 - 1000-V Charged-Device Model (C101)

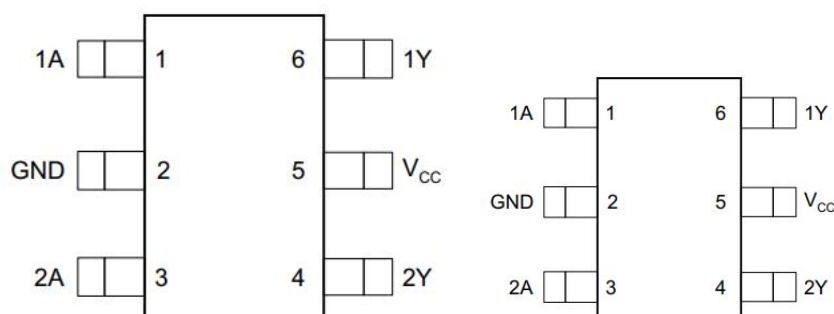
Applications

- AV Receiver
- Blu-ray Player and Home Theater
- DVD Recorders and Players
- Desktop or Notebook PCs
- Digital Radio or Internet Radio Players
- Digital Video Cameras (DVC)
- Embedded PC
- GPS: Personal Navigation Devices
- Mobile Internet Devices
- Network Projector Front-Ends
- Portable Media Players
- Pro Audio Mixers
- Smoke Detectors
- Solid State Drive (SSD): Enterprise
- High-Definition (HDTV)

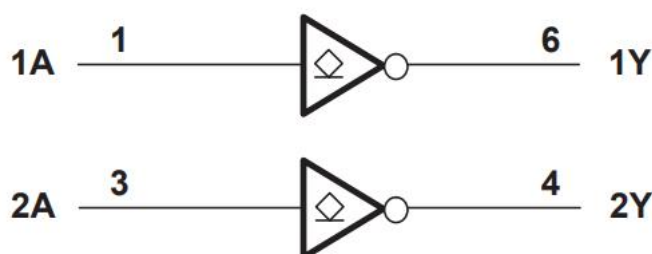
Order information

Mode	Package	Ordering Number	Packing Option
FLG74LVC2G06	SOT23-6	FLG74LVC2G06YSOT236G/TR	Tape and Reel,3000
	SC70-6	FLG74LVC2G06YSC706G/TR	Tape and Reel,3000

Pin Configuration



Simplified Schematic



Pin Assignment

Pin Name	Pin No.	Pin Function
GND	2	Ground
1A	1	Input 1
2A	3	Input 2
1Y	6	Open-drain output 1
2Y	4	Open-drain output 2
VCC	5	Power pin

Absolute Maximum Ratings (Note1)

- V_{CC} ----- -0.5V to +6.5V
- V_I ----- -0.5V to +6.5V
- V_O (Voltage range applied to any output in the high-impedance or power-off state) ----- -0.5V to +6.5V
- V_O (Voltage range applied to any output in the high or slow state) ----- -0.5V to +6.5V
- Input clamp current ----- -50mA
- Output clamp current ----- -50mA
- Continuous output current ----- ± 50 mA
- Storage Temperature ----- -65°C to 150°C

Recommended Operating Conditions

Parameter	Symbol	Test Conditions	Min	Typ	Max	Units
Supply voltage	V_{CC}	Operating	1.65		5.5	V
		Data retention only	1.5			
Input voltage	V_I		0		5.5	V
Output voltage	V_O				5.5	V
High- level input voltage	V_{IH}	$V_{CC} = 1.65\text{V to } 1.95\text{V}$	$0.65 \times V_{CC}$			V
		$V_{CC} = 2.3\text{V to } 2.7\text{V}$	1.7			
		$V_{CC} = 3\text{V to } 3.6\text{V}$	2			
		$V_{CC} = 4.5\text{V to } 5.5\text{V}$	$0.7 \times V_{CC}$			
Low- level input voltage	V_{IL}	$V_{CC} = 1.65\text{V to } 1.95\text{V}$			$0.35 \times V_{CC}$	V
		$V_{CC} = 2.3\text{V to } 2.7\text{V}$			0.7	
		$V_{CC} = 3\text{V to } 3.6\text{V}$			0.8	
		$V_{CC} = 4.5\text{V to } 5.5\text{V}$			$0.3 \times V_{CC}$	
Low- level output current	I_{OL}	$V_{CC} = 1.65\text{V}$			4	mA
		$V_{CC} = 2.3\text{V}$			8	
		$V_{CC} = 3\text{V}$			16	
		$V_{CC} = 3\text{V}$			24	
		$V_{CC} = 4.5\text{V}$			32	
Input transition rise or fall rate	$\Delta T / \Delta V$	$V_{CC} = 1.8\text{V} \pm 0.15\text{V}, 2.5\text{V} \pm 0.2\text{V}$			20	ns/V
		$V_{CC} = 3.3\text{V} \pm 0.3\text{V}$			10	
		$V_{CC} = 5\text{V} \pm 0.5\text{V}$			5	
Operating temperature	T_A		-40		125	$^{\circ}\text{C}$

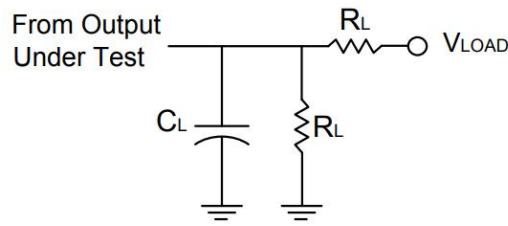
Electrical Characteristics

Parameter	Symbol	Test Conditions	Min.	Typ.	Max.	Unit
Low- level output voltage	V_{OL}	$V_{CC} = 1.65 \sim 5.5V, I_{OL} = 100\mu A$			0.1	V
		$V_{CC} = 1.65V, I_{OL} = 4mA$			0.45	
		$V_{CC} = 2.3V, I_{OL} = 8mA$			0.3	
		$V_{CC} = 3V, I_{OL} = 16mA$			0.4	
		$V_{CC} = 3V, I_{OL} = 24mA$			0.55	
		$V_{CC} = 4.5V, I_{OL} = 32mA$			0.55	
Input leakage current	I_I	$V_{IN} = 5.5V$ or GND, $V_{CC} = 0 \sim 5.5V$			± 5	μA
Power off leakage current	I_{OFF}	V_I or $V_O = 5.5V, V_{CC} = 0V$			± 10	μA
Supply current	I_{CC}	$V_I = 5.5V$ or GND, $I_{OUT} = 0,$ $V_{CC} = 1.65 \sim 5.5V$			10	μA
Additional supply current per input pin	ΔI_{CC}	$V_{CC} = 3 \sim 5.5V,$ one input at $V_{CC} - 0.6V,$ other input at V_{CC} or GND			500	μA

Switching Characteristics

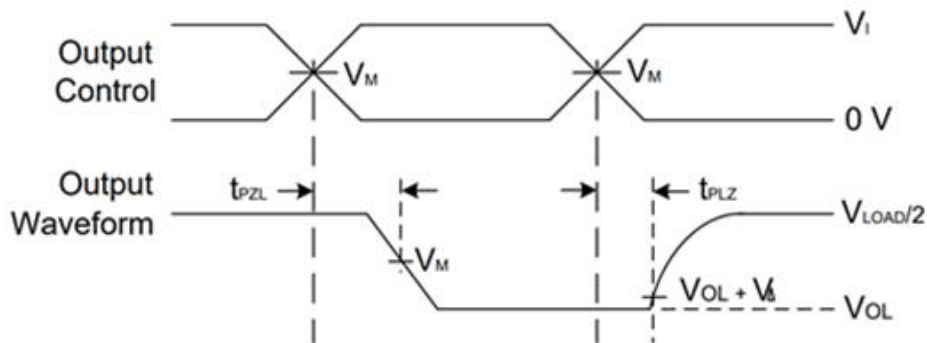
Parameter	Symbol	Test Conditions	Min.	Typ.	Max.	Unit
Propagation delay from input(A) to output(Y)	T_{PD}	$V_{CC} = 1.8V \pm 0.15V$	1.8		7.2	ns
		$V_{CC} = 2.5V \pm 0.2V$	1		3.9	
		$V_{CC} = 3.3V \pm 0.3V$	1		3.4	
		$V_{CC} = 5V \pm 0.5V$	1		2.9	

Parameter Measurement Information



TEST	Condition
t_{PLZ}	V_{LOAD}
t_{PZL}	V_{LOAD}

V_{CC}	INPUTS		V_M	V_{LOAD}	C_L	R_L	V_{Δ}
	V_I	t_r/t_f					
$1.8V \pm 0.15V$	V_{CC}	$\cong 2ns$	$V_{CC}/2$	$2 \times V_{CC}$	30pF	1k Ω	0.15V
$2.5V \pm 0.2V$	V_{CC}	$\cong 2ns$	$V_{CC}/2$	$2 \times V_{CC}$	30pF	500 Ω	0.15V
$3.3V \pm 0.3V$	3V	$\cong 2.5ns$	1.5V	6V	50pF	500 Ω	0.3V
$5V \pm 0.5V$	V_{CC}	$\cong 2.5ns$	$V_{CC}/2$	$2 \times V_{CC}$	50pF	500 Ω	0.3V



Voltage Waveform Enable and Disable Times

Low- and High-Level Enabling

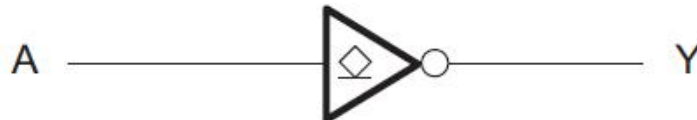
- Notes:
- A. C_L includes probe and jig capacitance
 - B. All pulses and supplied at pulse repetition rate $\cong 10MHz$
 - C. The Inputs are measured one at a time with one transition per measurement
 - D. For the open drain device t_{PLZ} and t_{PZL} are the same as t_{PD}
 - E. t_{PZL} is measured at V_M
 - F. t_{PLZ} is measured at $V_{OL} + V_{\Delta}$

IC Operation Information

Basic Operation

The FLG74LVC2G06 device contains dual open-drain inverter with a maximum sink current 32mA. This device is fully specified for partial-power-down applications using Ioff. The Ioff circuitry disables the outputs, preventing damaging current backflow through the device when it is powered down.

Function Block Diagram



Feature Description

- Wide operating voltage range.
 - Operates from 1.65 V to 5.5 V.
- Allows down voltage translation.
- Inputs accept voltages to 5.5 V.
- Ioff feature allows voltages on the inputs and outputs when V_{CC} is 0 V.

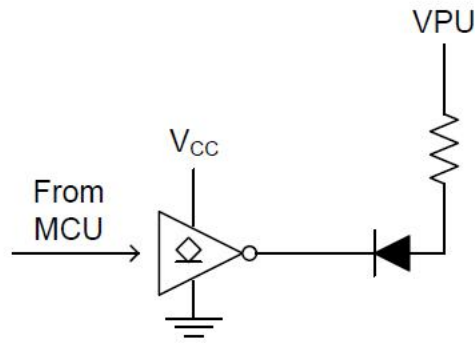
Device Functional Table

INPUT	OUTPUT
A	Y
L	Hi-Z
H	L

IC Application Information

The FLG74LVC2G06 is a high drive CMOS device that can be used to implement a high output drive buffer, such as an LED application. It can produce 32 mA of drive current at 4.5 V making it Ideal for driving multiple outputs and good for high speed applications up to 100 MHz. The inputs are 5.5 V tolerant allowing it to translate down to V_{CC} .

Typical Application



Design Requirements

this device can be any value from -0.5 V to 6.5 V , according to Absolute Maximum Ratings. Because the input limits are not associated with V_{CC} down-translation is simple. The output voltage is selected with V_{CC} , and so long as the input logic voltage is larger than V_{IH} , found in Recommended Operating Conditions, the output will trigger properly.

Detailed Design Procedure

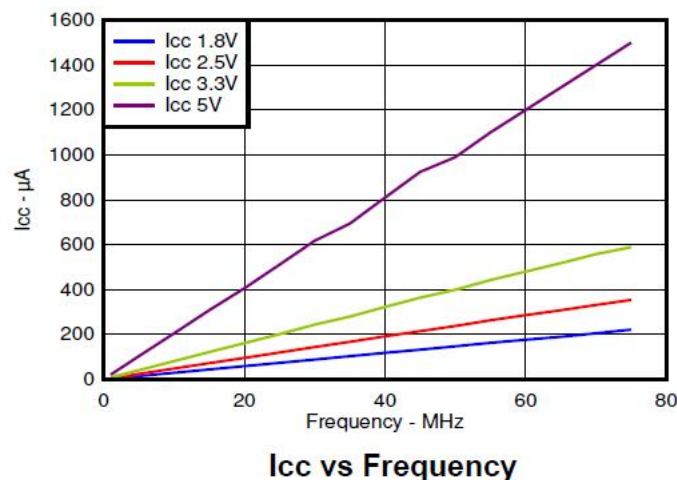
1. Recommended Input Conditions

- Rise time and fall time specs. See ($\Delta t / \Delta V$) in the Recommended Operating Conditions table.
- Specified high and low levels. See (V_{IH} and V_{IL}) in the Recommended Operating Conditions table
- Inputs are overvoltage tolerant allowing them to go as high as ($V_I \text{ max}$) in the Recommended Operating Conditions table at any valid V_{CC} .

2. Recommend Output Conditions

- Load currents should not exceed ($I_O \text{ max}$) per output and should not exceed total current (continuous current through (V_{CC} or GND) for the part. These limits are located in the Absolute Maximum Ratings table.
- Outputs should not be pulled above V_{CC} .

Application Curves



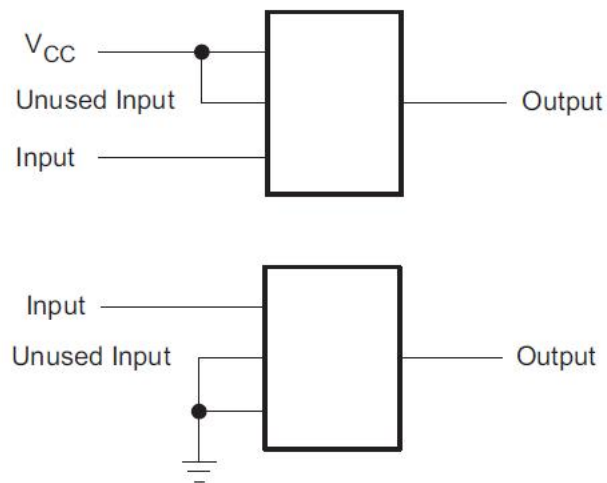
Power Supply Recommendations

The power supply can be any voltage between the min and max supply voltage rating located in the Recommended Operating Conditions table.

Each Vcc pin should have a good bypass capacitor to prevent power disturbance. For devices with a single supply, a 0.1- μF capacitor is recommended and if there are multiple Vcc pins then 0.01- μF or 0.022- μF capacitor is recommended for each power pin. It is ok to parallel multiple bypass capacitors to reject different frequencies of noise. 0.1- μF and 1- μF capacitors are commonly used in parallel. The bypass capacitor should be installed as close to the power pin as possible for best results.

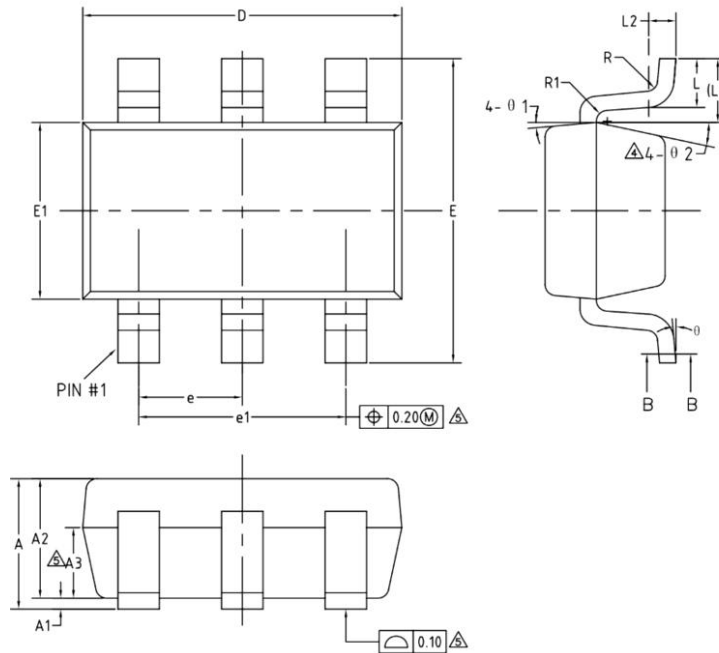
Layout Considerations

When using multiple bit logic devices inputs should not ever float. In many cases, functions or parts of functions of digital logic devices are unused; for example, when only two inputs of a triple-input AND gate are used or only 3 of the 4 buffer gates are used. Such input pins should not be left unconnected because the undefined voltages at the outside connections result in undefined operational states. Specified below are the rules that must be observed under all circumstances. All unused inputs of digital logic devices must be connected to a high or low bias to prevent them from floating. The logic level that should be applied to any particular unused input depends on the function of the device. Generally they will be tied to GND or VCC whichever make more sense or is more convenient.



Package Information

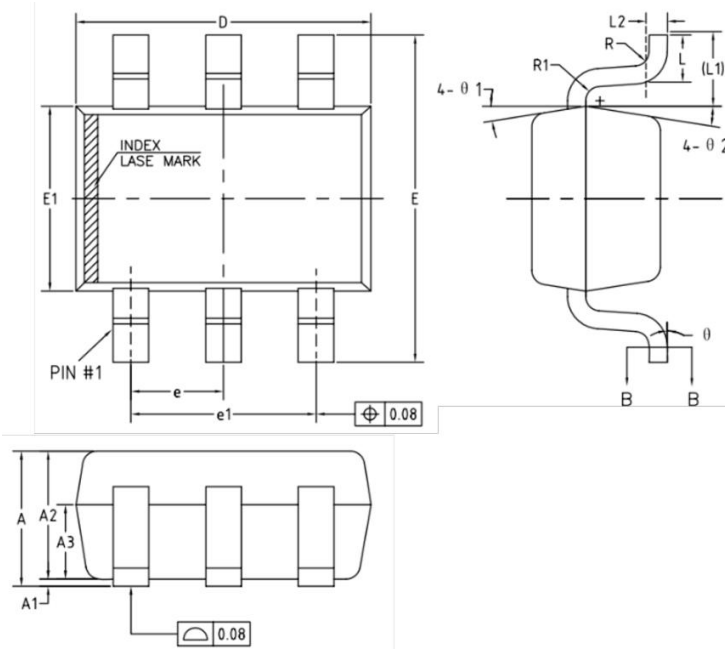
(1) Package Type: SOT23-6



COMMON DIMENSIONS
(UNITS OF MEASURE=MILLIMETER)

SYMBOL	MIN	NOM	MAX
A	—	—	1.25
A1	0	—	0.15
A2	1.00	1.10	1.20
A3	0.60	0.65	0.70
b	0.36	—	0.50
b1	0.36	0.38	0.45
c	0.14	—	0.20
c1	0.14	0.15	0.16
D	2.826	2.926	3.026
E	2.60	2.80	3.00
E1	1.526	1.626	1.726
e	0.90	0.95	1.00
e1	1.80	1.90	2.00
L	0.35	0.45	0.60
L1	0.59REF		
L2	0.25BSC		
R	0.10	—	—
R1	0.10	—	0.20
θ	0°	—	8°
$\theta 1$	3°	5°	7°
$\theta 2$	6°	—	14°

(2) Package Type: SC70



COMMON DIMENSIONS
(UNITS OF MEASURE=MILLIMETER)

SYMBOL	MIN	NOM	MAX
A	0.85	—	1.05
A1	0	—	0.10
A2	0.80	0.90	1.00
A3	0.47	0.52	0.57
b	0.22	—	0.29
b1	0.22	0.25	0.28
c	0.115	—	0.15
c1	0.115	0.13	0.14
D	2.02	2.07	2.12
E	2.20	2.30	2.40
E1	1.25	1.30	1.35
e	0.65BSC		
e1	1.30BSC		
L	0.28	0.33	0.38
L1	0.50REF		
L2	0.15BSC		
R	0.10	—	—
R1	0.10	—	0.25
θ	0°	—	8°
θ 1	6°	9°	12°
θ 2	6°	9°	12°

Important Notice And Disclaimer

- We reserves the right to change the instruction manual without prior notice.
- Any semiconductor product has a certain possibility of failure or malfunction under specific conditions. The buyer is responsible for complying with safety standards and taking safety measures when using our products for system design and overall manufacturing to avoid potential failure risks that may cause personal injury or property damage.
- The improvement of product quality is endless, our company will be dedicated to provide customers with better products.